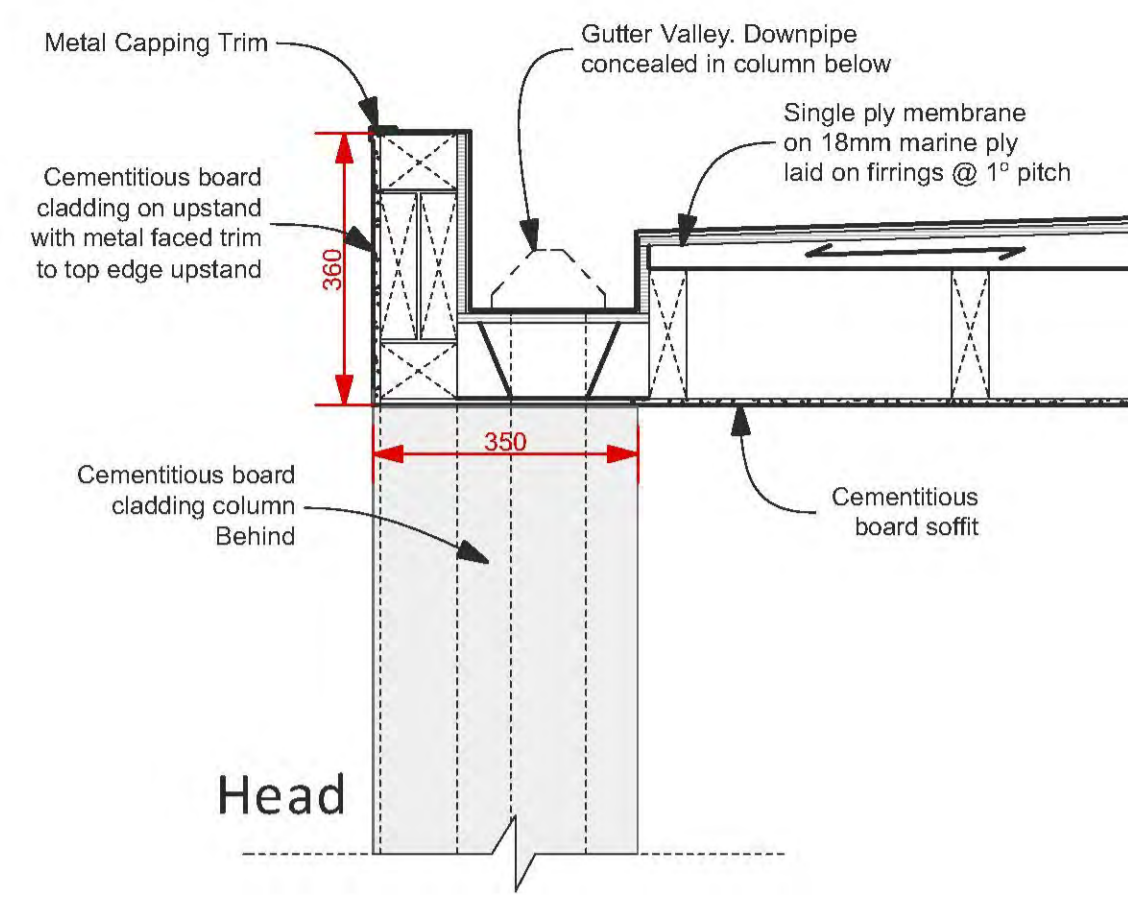
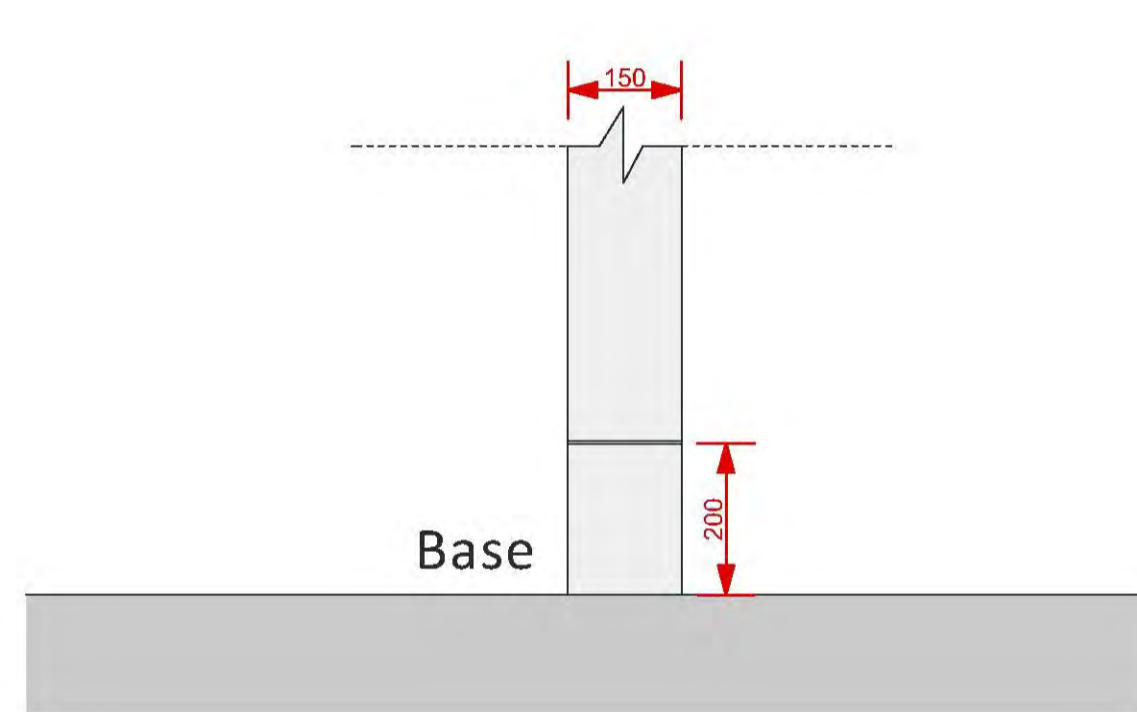
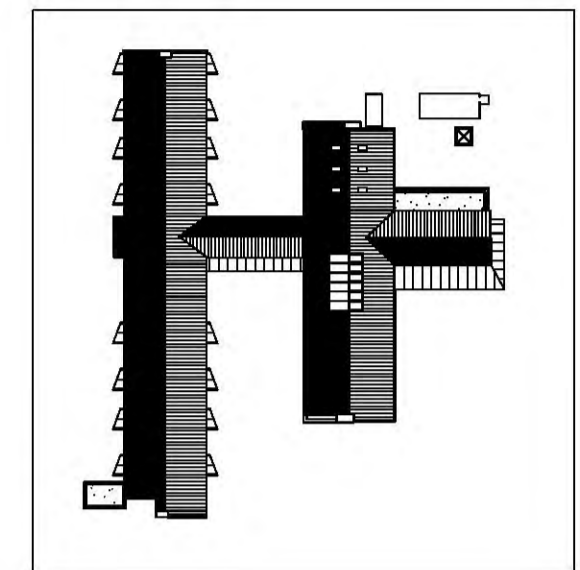
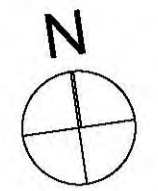


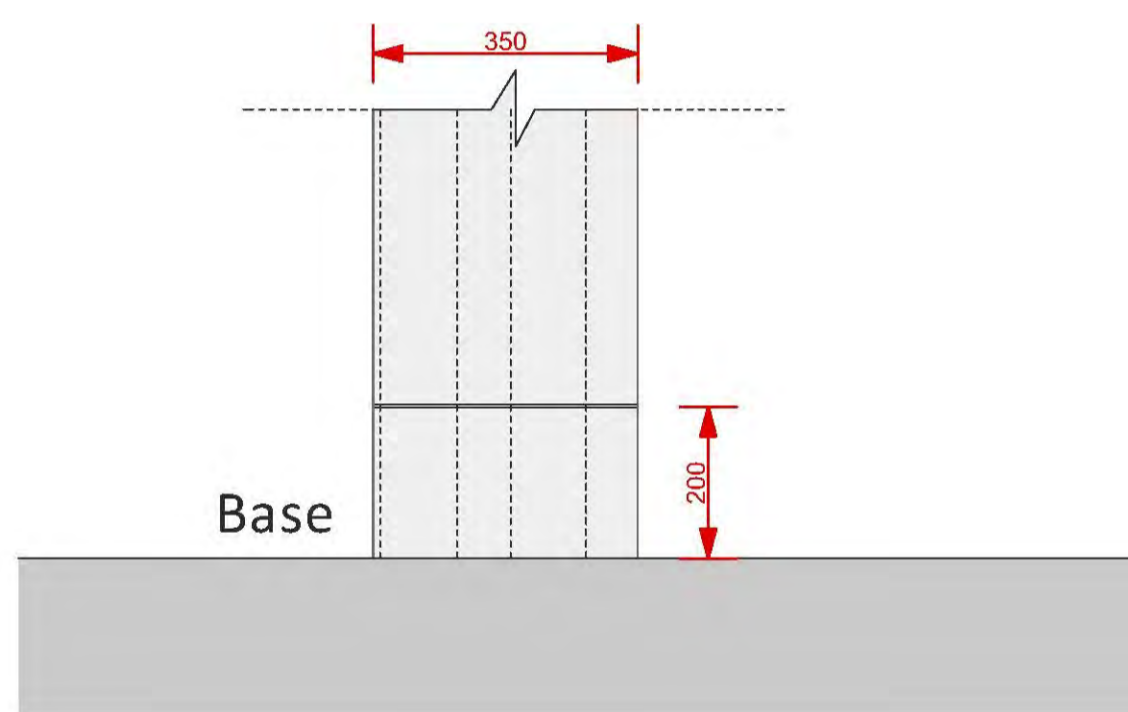
Canopy Elevation 1:10



Canopy Section 1:10



Canopy Elevation 1:10

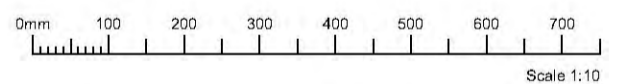


Canopy Section 1:10

Issued For Planning: 15.05.2018

A CL 14/05/18 Canopy details updated

Rev	Init	Date	Revision



lsi ARCHITECTS

NORWICH
The Old Drill Hall
23a Cattle Market Street
Norwich NR1 3DY
+44(0)1603 860711

LONDON
Floor 2
50-54 Clerkenwell Road
London EC1M 5PS
+44(0)20 7278 1739
www.lsiarchitects.co.uk

Client
Havens Hospices

Project
New Fair Havens Hospice

Title
General Arrangement Plan
Entrance Canopy

Scale @ A2 1:10	Date 16.04.2018	Drawn CL
--------------------	--------------------	-------------

16271-LSI-A1-ZZ-DR-A-1307 | A



View looking at entrance canopy



Cementitious board